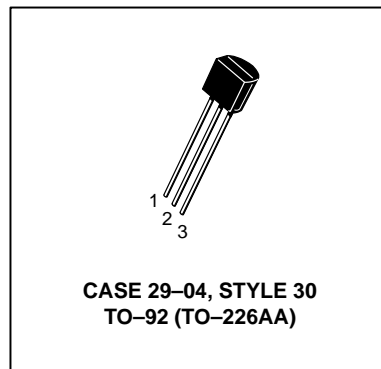
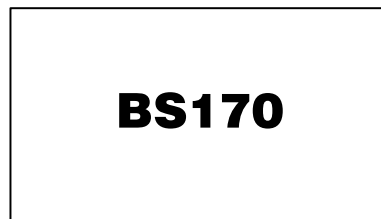
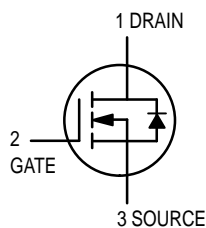


# TMOS FET Switching

## N-Channel — Enhancement



### MAXIMUM RATINGS

Rating	Symbol	Value	Unit
Drain-Source Voltage	$V_{DS}$	60	Vdc
Gate-Source Voltage	$V_{GS}$	$\pm 20$	Vdc
— Continuous	$V_{GS}$	$\pm 20$	Vdc
— Non-repetitive ( $t_p \leq 50 \mu s$ )	$V_{GSM}$	$\pm 40$	Vpk
Drain Current <sup>(1)</sup>	$I_D$	0.5	Adc
Total Device Dissipation @ $T_A = 25^\circ C$	$P_D$	350	mW
Operating and Storage Junction Temperature Range	$T_J, T_{stg}$	-55 to +150	$^\circ C$

### ELECTRICAL CHARACTERISTICS ( $T_A = 25^\circ C$ unless otherwise noted)

Characteristic	Symbol	Min	Typ	Max	Unit
----------------	--------	-----	-----	-----	------

#### OFF CHARACTERISTICS

Gate Reverse Current ( $V_{GS} = 15 \text{ Vdc}, V_{DS} = 0$ )	$I_{GSS}$	—	0.01	10	nAdc
Drain-Source Breakdown Voltage ( $V_{GS} = 0, I_D = 100 \mu \text{Adc}$ )	$V_{(BR)DSS}$	60	90	—	Vdc

#### ON CHARACTERISTICS<sup>(2)</sup>

Gate Threshold Voltage ( $V_{DS} = V_{GS}, I_D = 1.0 \text{ mAdc}$ )	$V_{GS(Th)}$	0.8	2.0	3.0	Vdc
Static Drain-Source On Resistance ( $V_{GS} = 10 \text{ Vdc}, I_D = 200 \text{ mAdc}$ )	$r_{DS(on)}$	—	1.8	5.0	$\Omega$
Drain Cutoff Current ( $V_{DS} = 25 \text{ Vdc}, V_{GS} = 0 \text{ Vdc}$ )	$I_{D(off)}$	—	—	0.5	$\mu A$
Forward Transconductance ( $V_{DS} = 10 \text{ Vdc}, I_D = 250 \text{ mAdc}$ )	$g_{fs}$	—	200	—	mmhos

#### SMALL-SIGNAL CHARACTERISTICS

Input Capacitance ( $V_{DS} = 10 \text{ Vdc}, V_{GS} = 0, f = 1.0 \text{ MHz}$ )	$C_{iss}$	—	—	60	pF
---	-----------	---	---	----	----

#### SWITCHING CHARACTERISTICS

Turn-On Time ( $I_D = 0.2 \text{ Adc}$ ) See Figure 1	$t_{on}$	—	4.0	10	ns
Turn-Off Time ( $I_D = 0.2 \text{ Adc}$ ) See Figure 1	$t_{off}$	—	4.0	10	ns

- The Power Dissipation of the package may result in a lower continuous drain current.
- Pulse Test: Pulse Width  $\leq 300 \mu s$ , Duty Cycle  $\leq 2.0\%$ .

RESISTIVE SWITCHING

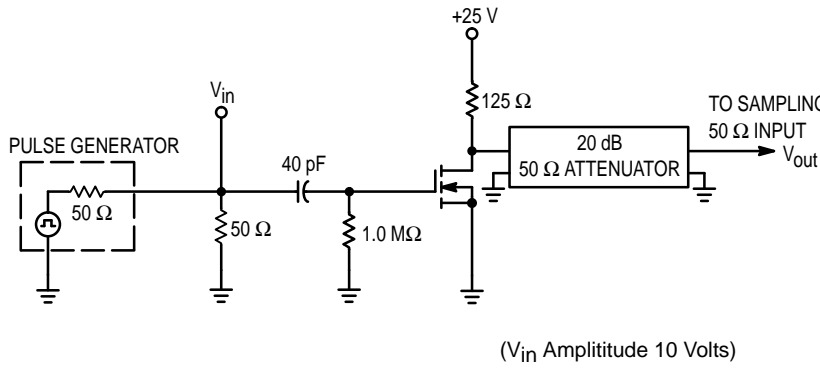


Figure 1. Switching Test Circuit

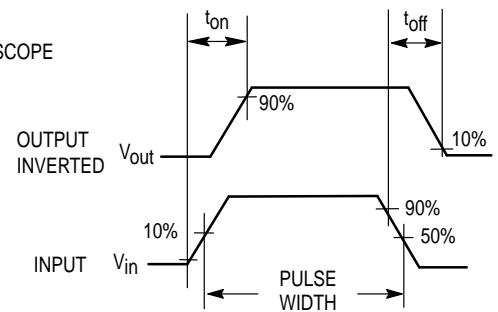


Figure 2. Switching Waveforms

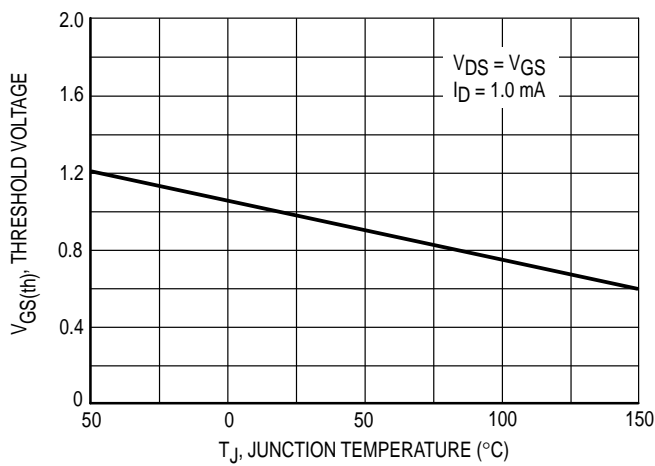


Figure 3.  $V_{GS(th)}$  Normalized versus Temperature

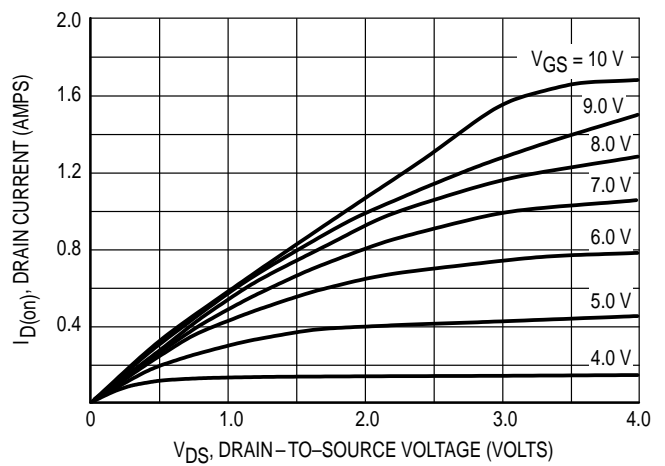


Figure 4. On-Region Characteristics

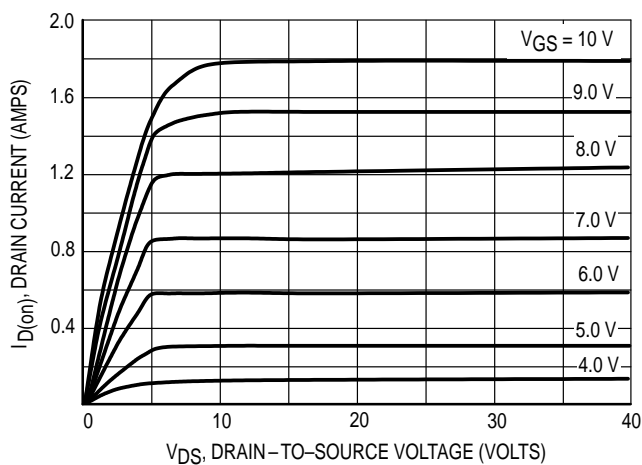


Figure 5. Output Characteristics

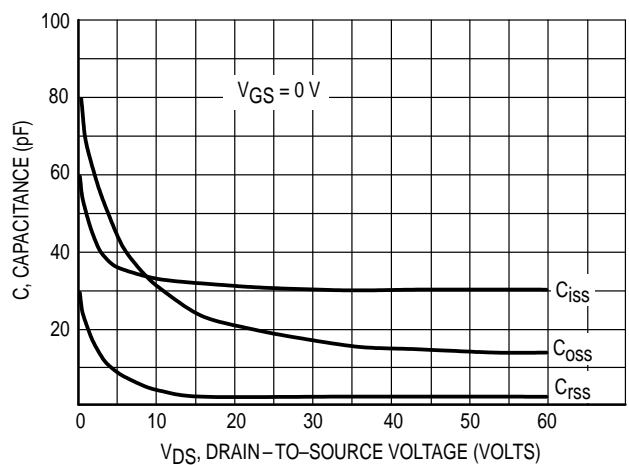
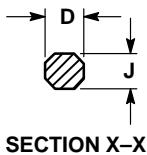
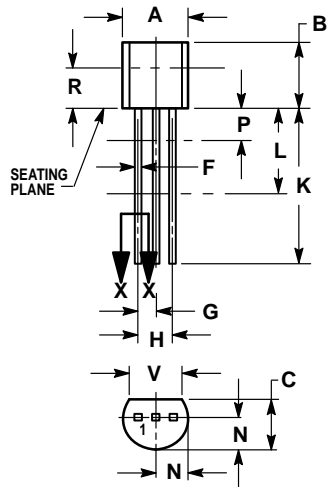


Figure 6. Capacitance versus Drain-To-Source Voltage

PACKAGE DIMENSIONS



NOTES:

1. DIMENSIONING AND TOLERANCING PER ANSI Y14.5M, 1982.
2. CONTROLLING DIMENSION: INCH.
3. CONTOUR OF PACKAGE BEYOND DIMENSION R IS UNCONTROLLED.
4. DIMENSION F APPLIES BETWEEN P AND L. DIMENSION D AND J APPLY BETWEEN L AND K. MINIMUM. LEAD DIMENSION IS UNCONTROLLED IN P AND BEYOND DIMENSION K MINIMUM.

DIM	INCHES		MILLIMETERS	
	MIN	MAX	MIN	MAX
A	0.175	0.205	4.45	5.20
B	0.170	0.210	4.32	5.33
C	0.125	0.165	3.18	4.19
D	0.016	0.022	0.41	0.55
F	0.016	0.019	0.41	0.48
G	0.045	0.055	1.15	1.39
H	0.095	0.105	2.42	2.66
J	0.015	0.020	0.39	0.50
K	0.500	—	12.70	—
L	0.250	—	6.35	—
N	0.080	0.105	2.04	2.66
P	—	0.100	—	2.54
R	0.115	—	2.93	—
V	0.135	—	3.43	—

**CASE 029-04  
(TO-226AA)  
ISSUE AD**

STYLE 30:

- PIN 1. DRAIN
2. GATE
3. SOURCE

Motorola reserves the right to make changes without further notice to any products herein. Motorola makes no warranty, representation or guarantee regarding the suitability of its products for any particular purpose, nor does Motorola assume any liability arising out of the application or use of any product or circuit, and specifically disclaims any and all liability, including without limitation consequential or incidental damages. "Typical" parameters which may be provided in Motorola data sheets and/or specifications can and do vary in different applications and actual performance may vary over time. All operating parameters, including "Typicals" must be validated for each customer application by customer's technical experts. Motorola does not convey any license under its patent rights nor the rights of others. Motorola products are not designed, intended, or authorized for use as components in systems intended for surgical implant into the body, or other applications intended to support or sustain life, or for any other application in which the failure of the Motorola product could create a situation where personal injury or death may occur. Should Buyer purchase or use Motorola products for any such unintended or unauthorized application, Buyer shall indemnify and hold Motorola and its officers, employees, subsidiaries, affiliates, and distributors harmless against all claims, costs, damages, and expenses, and reasonable attorney fees arising out of, directly or indirectly, any claim of personal injury or death associated with such unintended or unauthorized use, even if such claim alleges that Motorola was negligent regarding the design or manufacture of the part. Motorola and  are registered trademarks of Motorola, Inc. Motorola, Inc. is an Equal Opportunity/Affirmative Action Employer.

Mfax is a trademark of Motorola, Inc.

**How to reach us:**

**USA/EUROPE/Locations Not Listed:** Motorola Literature Distribution;  
P.O. Box 5405, Denver, Colorado 80217. 303-675-2140 or 1-800-441-2447

**JAPAN:** Nippon Motorola Ltd.; Tatsumi-SPD-JLDC, 6F Seibu-Butsuryu-Center,  
3-14-2 Tatsumi Koto-Ku, Tokyo 135, Japan. 81-3-3521-8315

**Mfax™:** RMFAX0@email.sps.mot.com – TOUCHTONE 602-244-6609  
– US & Canada ONLY 1-800-774-1848

**ASIA/PACIFIC:** Motorola Semiconductors H.K. Ltd.; 8B Tai Ping Industrial Park,  
51 Ting Kok Road, Tai Po, N.T., Hong Kong. 852-26629298

**INTERNET:** <http://motorola.com/sps>

**MOTOROLA**